

■ RoHS2.0	■ HALOGEN FREE	■ REACH
■ HSF	□ OTP全代码烧录	

其它未特别注明请以签样为准

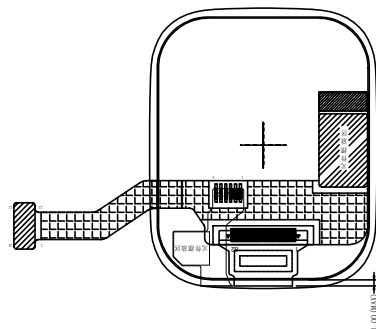
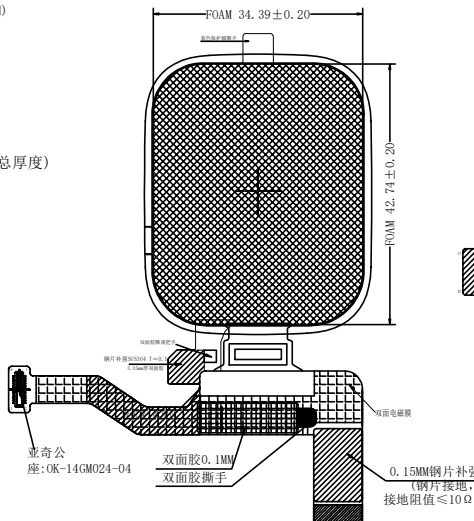
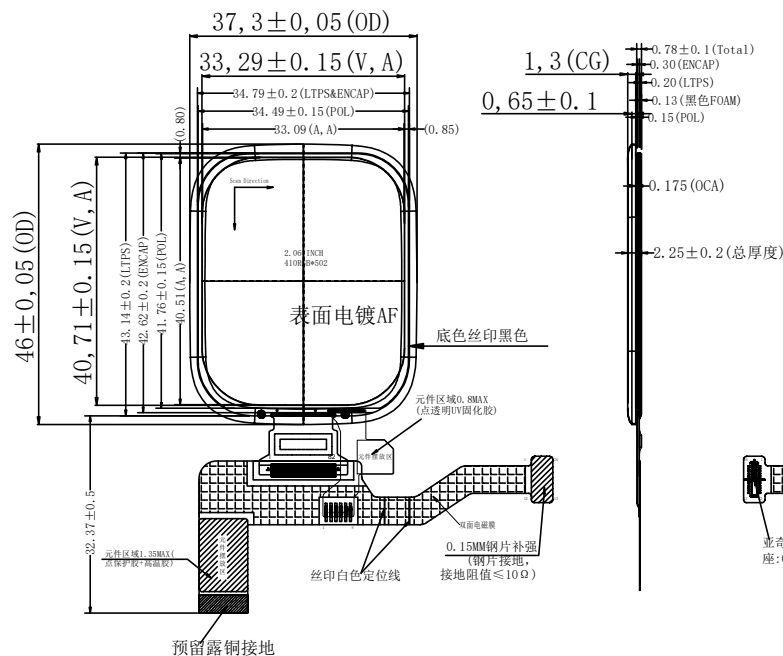
REV	DESCRIPTION	REVISER	DATE
VO	FIRST ISSUE	Frank	2023-08-16

正视图

侧视图

背视图

弯折示意图
弯折出货



Pin Assignment

NO	SYMBOL
1	TP_VCC
2	TP_INT
3	TP_SDA
4	TP_SCL
5	TP_RST
6	GND
7	SPI_CS
8	SPI_I00
9	SPI_I03
10	GND
11	SPI_CLK
12	GND
13	SPI_I01
14	SPI_I02
15	SPI_RST
16	TE
17	SWIRE
18	GND
19	IO_VCC
20	VCC
21	NC
22	ELVDD
23	ELVSS
24	MTP_PWR

NO	SYMBOL
1	TP_SCL
2	TP_SDA
3	TP_RST
4	TP_INT
5	GND
6	VDD3V3

Notes (AMOLED):

- Display Type: 2.06"410RGB*502 LTPS-AMOLED(Once11);
- Driver IC:CO5300
- TOUCH IC: FT6146
- POWER IC:ERP5532AWCD
- W/O CG Luminance: 500cd/m2(TYP), 450cd/m2(MIN);
- White (X,Y): x=0.29±0.02, y=0.31±0.02;
- NTSC:100%typ;
- Viewing Direction L/R/U/D: 88/88/88/88;
- General Tolerance: ±0.20 ;
Unless Otherwise Specified Tolerance of Radius:R0.3;
- Flatness AMOLED bottom side≤0.25mm;
- CONFORMITY WITH ROHS & HALOGEN FREE REQUIREMENT;
- OPERATING TEMPERATURE:-20° C TO 60° C;
STORAGE TEMPERATURE:-30° C TO 70° C;

- CG材质&表面硬度:旭硝子 1.3mm& 硬度≥6H;
- 达因值: ≥34 dyn/cm (CG油墨面、Film非ITO面)
- 强化条件:CS≥450Mpa, DOL:8~15μm
- 钢球冲击能量:;64G钢球, 40CM高度 (0.2J) 冲击中心点三次, 需满足不破碎
- 油墨附着力&翘曲度&油墨厚度: <0.2mm; BLACK INK图层为黑色印刷;
- 工作温度:-10度到+60度; 存储温度:-20度到+70度
- 未注倒边: C=0.15*0.15;
- 符合ROHS标准;
- 未注公差+/-0.1mm
- 所有内角为直角位置均导为≥R0.3MM的圆角
- 表面电镀AF, 水滴角: 115°

未注公差		
外形公差	0<X≤9	±0.05
	9<X≤90	±0.10
位置公差	X>90	±0.15
	0<X≤1.0	±0.05
厚度公差	X>1.0	±0.10
	0<X≤0.5	±0.03
蚀刻公差	X>0.5	±0.05
	PAD 外形	±0.01
	PAD 间距	±0.01

Kingtech Group Co.,Ltd

DRWN	DATE	2023-08-16	PART NAME	2.06寸总成图纸
CHK	DATE		MODEL NAME	PV020600J0124A-CO
APVD	DATE		ERP NO.	
PROJECT 3RD		SCALE:1:1	UNIT: mm	SIZE: A4 1 OF 1