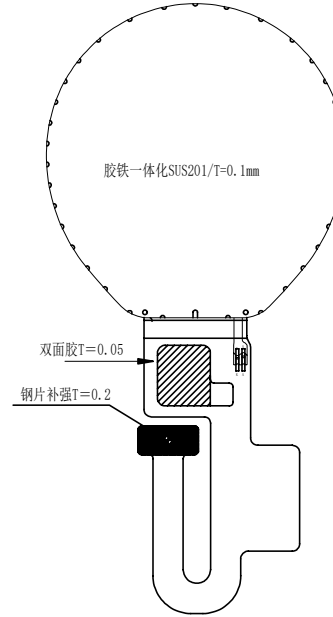
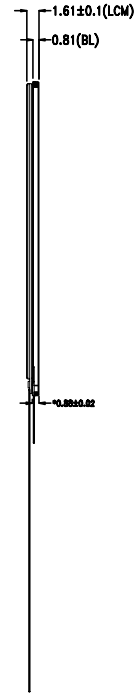
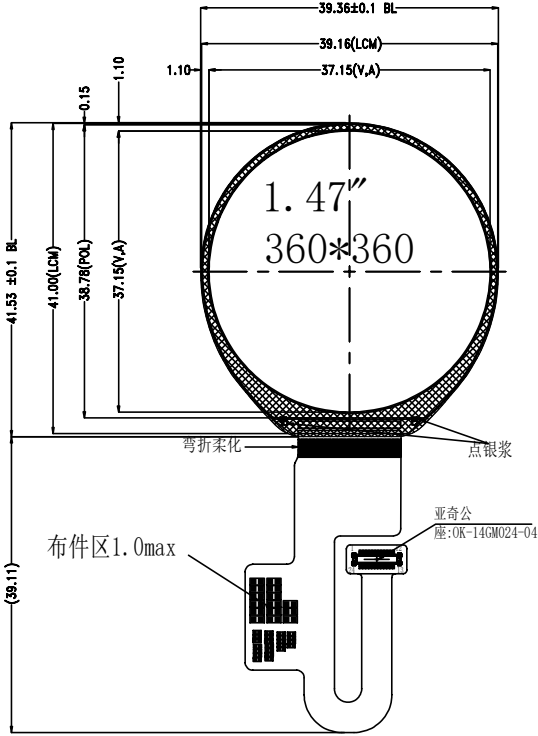


REV.	DESCRIPTION	DATE
A	新发行	2023-01-06

正视图

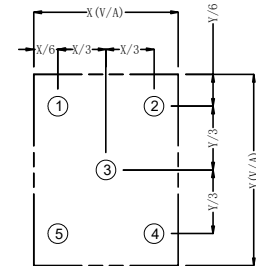
侧视图

背视图



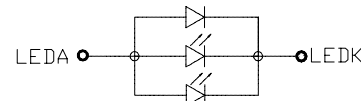
PIN	DESCRIPTION
1	TP-VCC
2	TP_INT
3	TP_SDA
4	TP_SCL
5	TP_RST
6	GND
7	SPI_CS
8	SPI_ID0
9	SPI_ID3
10	GND
11	SPI_CLK
12	GND
13	SPI_ID1
14	SPI_ID2
15	SPI_RST
16	TE
17	NC
18	GND
19	ID_VCC
20	VCC
21	NC
22	LEDA
23	LEDK
24	NC

NO	SYMBOL
1	TP_SCL
2	TP_SDA
3	TP_RST
4	TP_INT
5	GND
6	VDD3V3



NOTES:

1. DISPLAY TYPE: / 1.47"
2. OPERATING TEMP: -10° C~60° C; STORAGE TEMP: -20° C~70° C
3. MAIN LCD DRIVER IC: 15231
4. OPTIMUM VIEWING ANGLE: FREE
5. BACKLIGHT: 3 CHIP WHITE LED; If=60mA Vf=2.8V~3.3V
6. UNMARKED TOLERANCE: ±0.2mm
7. WITH" " MARK DIMENSIONS ARE IMPORTANT DIMENSIONS.
8. WITH"()" MARK DIMENSIONS ARE REFERENCE DIMENSIONS.
9. REQUIREMENTS ON ENVIRONMENTAL PROTECTION: ROHS .



If=60mA Vf=2.8V~3.3V

背光灯电路图

APPROVALS	DATE	SCALE 1:1	TITLE
			MODULE
CHECK:		UNIT mm	MODEL
APPROVAL:			PV14700F0124A
Kingtech Group Co.,Ltd.		DWG NO A	PAGE 1/1