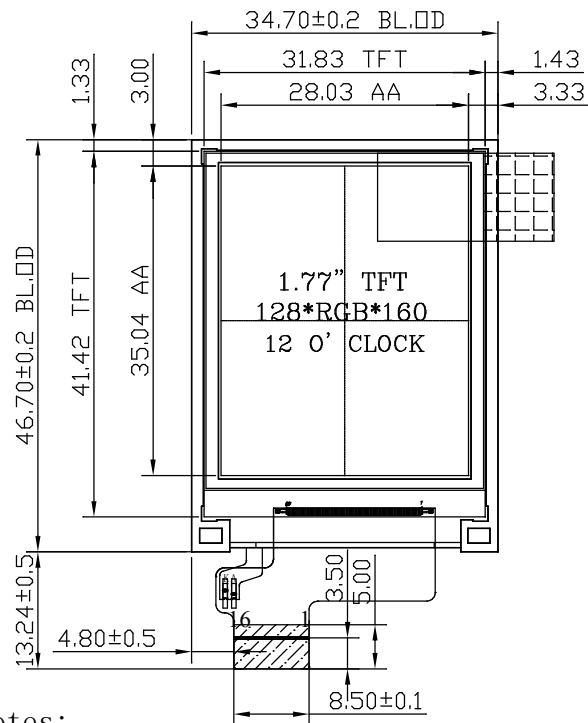


已确认此版本的所有图纸

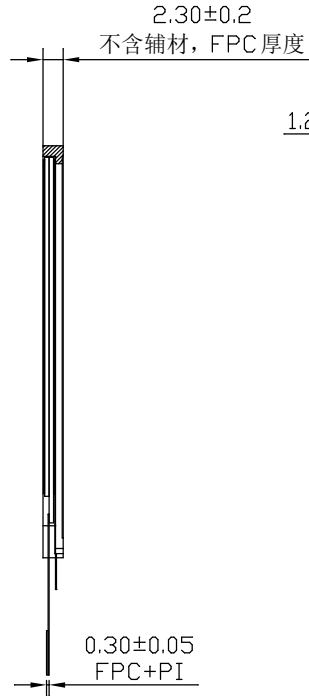
客户签名: \_\_\_\_\_ 日期: \_\_\_\_\_

REV	DESCRIPTION	DATE
1.0	首次设计:	2023-05-24

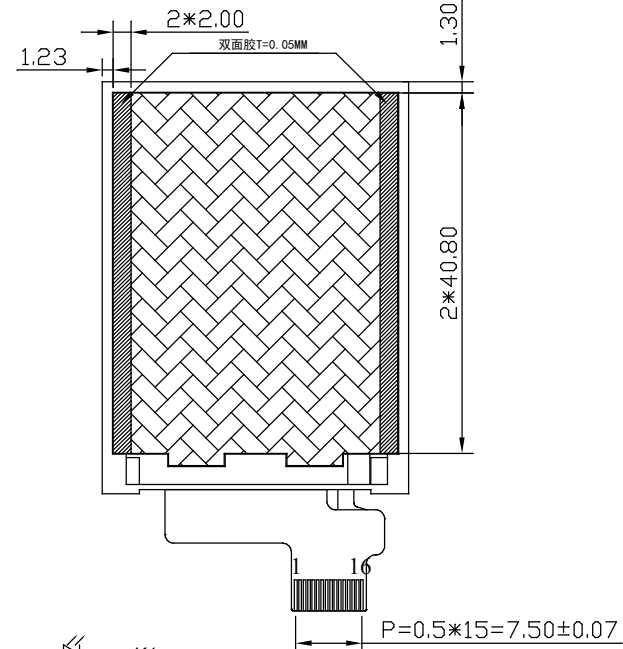
正视图



侧视图



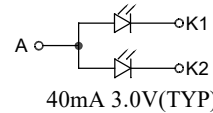
背视图



Pin Assignment	
1	DB0
2	DB1
3	DB2
4	DB3
5	DB4
6	DB5
7	DB6
8	DB7
9	CS
10	RS
11	WR
12	RD
13	RESET
14	GND
15	VCC/LEDA
16	LEDK

Notes:

1. Display Mode: 262K TFT/Normally White
2. Viewing Angle: 12 o' clock
3. LCD Driver IC: ST7735
4. Operating Temp: -20° C ~ +70° C
5. Storage Temp: -30° C ~ +80° C
6. \*:Critical Dimension, ( ):Reference Dimension
7. Undefined Tolerance: ±0.2
8. Surface Luminance: TBD CD/M<sup>2</sup> (TYP)
9. Requirements on Environmental Protection: ROHS



Kingtech Group Co., Ltd

TITLE:	ASSEMBLY	DO NOT SCALE THIS DRAWING, GENERAL TOLERANCE:±0.2	
PART NO.:	PV017710H0119K		
DRAWN BY:		DATE:	SECTION: OF
CHECKED BY:		DATE:	SCALE: N.T.S UNIT: mm
APPROVED BY:		DATE:	