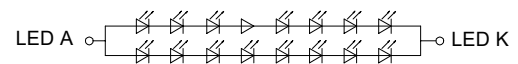
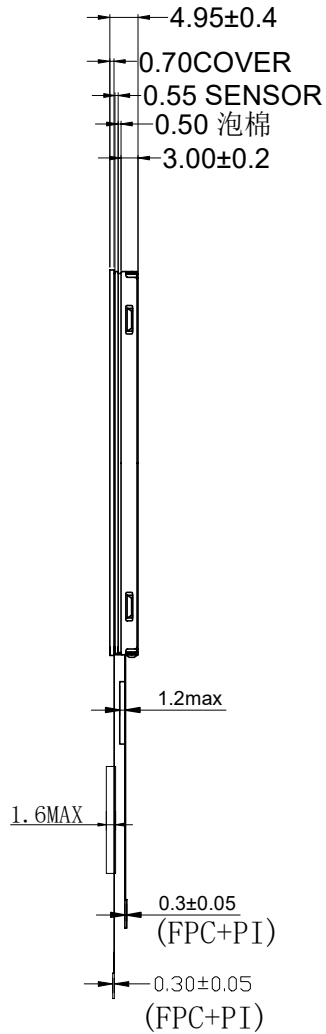
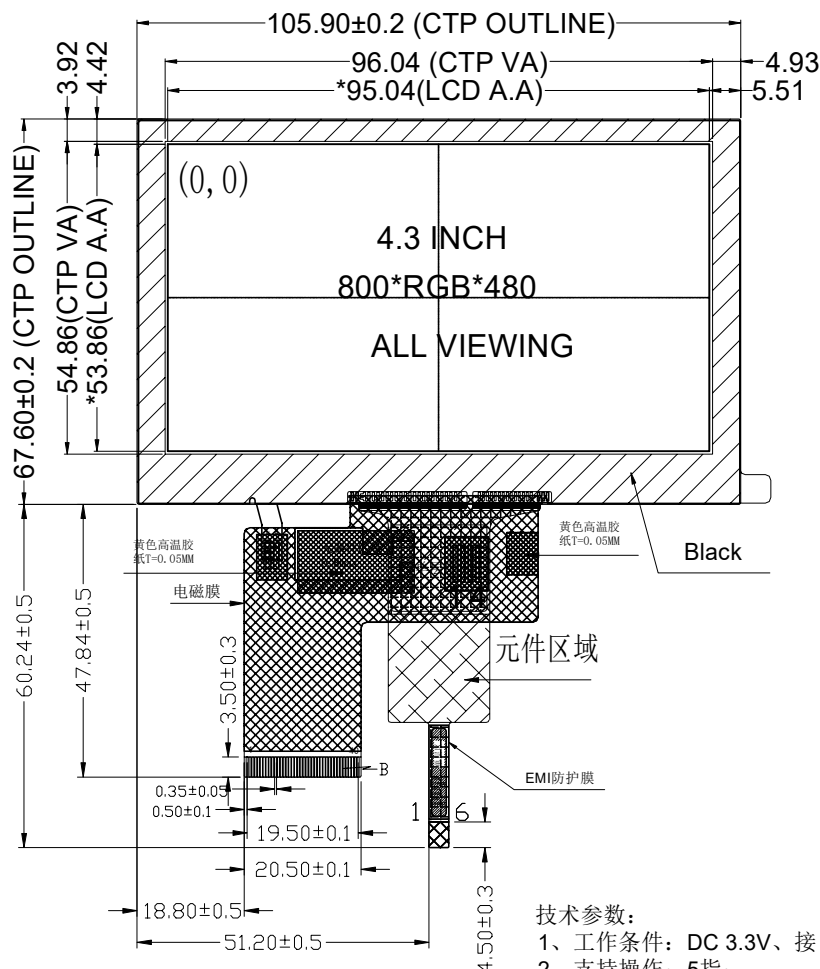
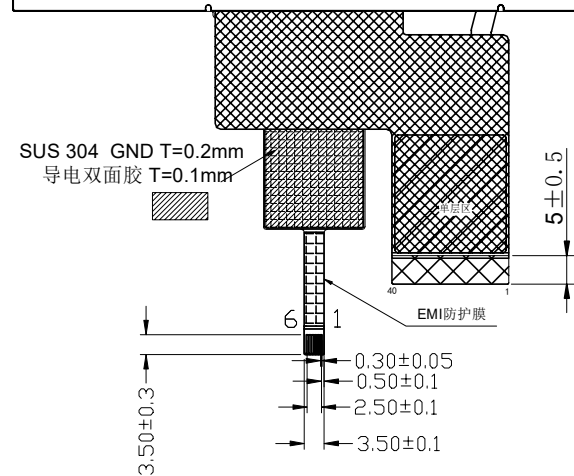


REV.	DESCRIPTION	REVISER	DATE
V0	NEW	GF	2022.12.7



16-LEDs(8S2P)/Vf=24V If=40mA(Type)
400CD/M2(MIN),500CD/M2(TYP)



PIN FUNCTION

PIN	description
1	VLED-
2	VLED+
3	GND
4	VDD
5	R0
6	R1
7	R2
8	R3
9	R4
10	R5
11	R6
12	R7
13	G0
14	G1
15	G2
16	G3
17	G4
18	G5
19	G6
20	G7
21	B0
22	B1
23	B2
24	B3
25	B4
26	B5
27	B6
28	B7
29	GND
30	CLK
31	DISP
32	HSYNC
33	VSYNC
34	DE
35	NC
36	GND
37	XR
38	YD
39	XL
40	YU

PIN	SYMBOL
1	GND
2	CTP_VDD
3	SCL
4	SDA
5	INT
6	RST

- NOTES:
- 1.DISPLAY TYPE: 4.3" TFT
 - 2.VIEWING DIRECTION: 80 80 80 80
 - 3.POLARIZER MODE: TRANSMISSIVE/POSITIVE
 - 4.OPERATING TEMP: -20°C~+70°C
 - 5.STORAGE TEMP: -30°C~+80°C
 - 6.UNMARKER TOLERANCE: ±0.20

- 技术参数:
- 1、工作条件: DC 3.3V、接口界面: I²C;
 - 2、支持操作: 5指;
 - 3、表面硬度: ≥7H;
 - 4、工作环境: -20°C~+70°C; 20~90%RH
 - 5、储存环境: -30°C~+80°C; 20~90%RH
 - 6、透光率: ≥85%;
 - 7、结构类型: G+G(Cover lens +ITO Glass);
 - 8、出线方式: FPC出线(金手指镀金);
 - 9、所用材料均符合ROHS标准;
 - 10、IC 选用: FT7311
 - 11、未注倒边C=0.15*0.15mm, 未注公差: ±0.2mm;

Kingtech Group Co.,Ltd.

Unspecified Tolerance: ±0.20	UNITS: mm	DATE:	MODEL NUMBER:		SHEET:	1 of 1
DESIGN BY:			PV043026Y0140W-CT		DRAWING DESCRIPTION:	LCM+CTP
CHECKED BY:						
APPROVED BY:			OS-RDD-07-002B			