

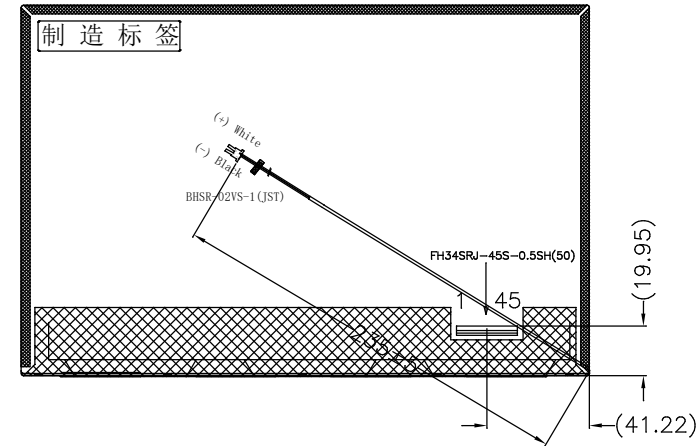
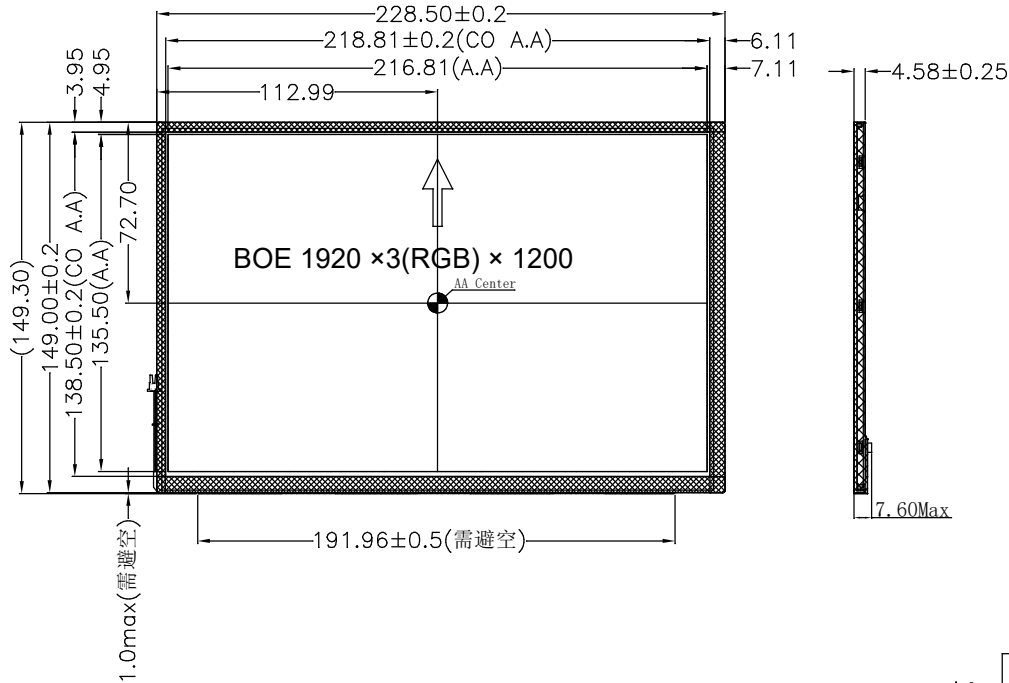
All Pages Of This Edition Approved

Signature: _____

Date: _____



REV.	DESCRIPTION	REVISER	DATE
V0	NEW	Rong	2022.10.18



If=200mA; Vf=26.5V

1	VLED-
2	VLED-
3	VLED+
4	VLED+
5	NC
6	GND
7	E_D3P
8	E_D3N
9	GND
10	E_D2P
11	E_D2N
12	GND
13	E_CLKP
14	E_CLKN
15	GND
16	E_D1P
17	E_D1N
18	GND
19	E_D0P
20	E_D0N
21	GND
22	O_D3P
23	O_D3N
24	GND
25	O_D2P
26	O_D2N
27	GND
28	O_CLKP
29	O_CLKN
30	GND
31	O_D1P
32	O_D1N
33	GND
34	O_D0P
35	O_D0N
36	GND
37	I2C_SDA
38	I2C_SCL
39	VDD_OTP
40	EEPEN
41	VDDIN
42	VDDIN
43	VDDIN
44	VDDIN
45	VDDIN

Notes:

- Unit:mm.
- Do not scale drawing.
- All radii without dimension R0.2.
- △ Modification Mark.
- draft angle: 1°
- Backlight luminance :800cd/m²(Min) /1000cd/m²(Typ)
- Luminance uniformity: 75%(min) (min/max*100%)
- UnSpecified Tolerance is ±0.2
- Operation conditions :If= 200mA, Vf=26.5V(typ)
Color coordinate:X=0.27-0.35, Y=0.27-0.35
- All materials comply with RoHS
- The measured value of luminance and color coordinate bases FX's BM-7
- Check item:1~9

Kingtech Group Co.,Ltd

Unspec ed Tolerance: ±0.20	UNITS: mm	DATE:	MODEL NUMBER :		SHEET:	1 Of 1
DESIGN BY:			PV101050Y0145R		DRAWING DESCRITUON:	MODEL
CHECKED BY:				PROJECTION		
APPROVED BY:						